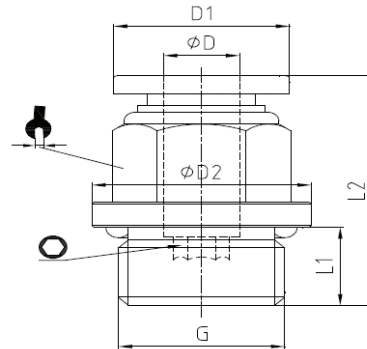





RACCORDS INSTANTANÉS POLYMÈRES

SÉRIE RP51 - RACCORD DROIT MÂLE BSP CYLINDRIQUE OU MÉTRIQUE AVEC JOINT OR



Réf. Air-techniques	øD	G"	D1	øD2	L1	L2			
RP51M504	4	M5	10	8	3.5	20.3	2	10	10
RP51M604	4	M6	10	9	4	20.8	2	10	10
RP511804	4	G1/8	12	14	5.5	19.5	3	10	10
RP511404	4	G1/4	12	17	7.5	18.6	3	10	10
RP513804	4	G3/8	12	20	7.5	19.6	3	10	10
RP51M506	6	M5	12	8	3.5	21	2	12	10
RP51M606	6	M6	12	9	4	21	2	12	10
RP511806	6	G1/8	14	14	5.5	22	4	12	10
RP511406	6	G1/4	14	17	7.5	22.5	4	12	10
RP513806	6	G3/8	14	20	7.5	20.3	4	12	10
RP511206	6	G1/2	14	24	10	23	4	12	10
RP511808	8	G1/8	16	14	5.5	25	4	14	10
RP511408	8	G1/4	16	17	7.5	24	5	14	10
RP513808	8	G3/8	16	20	7.5	20.5	6	14	10
RP511208	8	G1/2	16	24	10	24	6	14	10
RP511810	10	G1/8	19.5	14	5.5	29	4	17	10
RP511410	10	G1/4	19.5	17	7.5	30.5	6	17	10
RP513810	10	G3/8	19.5	20	7.5	27	8	17	10
RP511210	10	G1/2	19.5	24	10	30	8	17	10
RP511812	12	G1/8	23	14	5.5	30	4	21	10
RP511412	12	G1/4	23	17	7.5	33	6	21	10
RP513812	12	G3/8	23	20	7.5	28	8	21	10
RP511212	12	G1/2	23	24	10	30.5	8	21	10
RP513814	14	G3/8	23	22	7.5	32.5	8	22	10
RP511214	14	G1/2	23	24	10	30	10	24	10
RP513815	15	G3/8	27	24	7.5	34.5	8	24	10
RP511215	15	G1/2	27	24	10	31.5	10	24	10
RP513816	16	G3/8	27	20	7.5	35	8	24	10
RP511216	16	G1/2	27	24	10	37	10	24	10